



**SYNIC**<sup>®</sup>  
Intelligent Wireless

# Syncomm 2.4GHz/5.8GHz Wireless Audio Solution

*Confidential*



**SYNIC**<sup>®</sup>  
Intelligent Wireless

## Syncomm Wireless Audio Solution

- Application : Two Way Audio & Command
- Sample Rate : 48KHz Stereo Headphone  
48KHz Stereo / 16KHz Voice Headset
- Resolution : 16bit
- Wireless Band : 5.8GHz(IA2Q)/2.4GHz(IA2E)



**SYNIC**<sup>®</sup>  
Intelligent Wireless

## Wireless Gaming Headset Solution

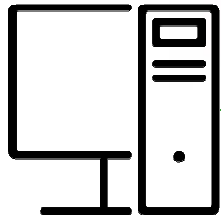
- Virtual 7.1/5.1ch Headset(USB sound chip)
- Virtual 3D sound effect
- Low Latency Complies with Dolby Certification
- Support 8 GPIO control



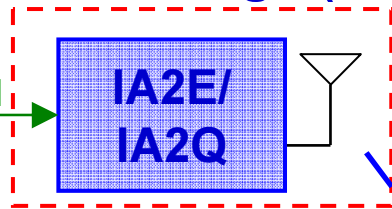
**SYNIC**<sup>®</sup>  
Intelligent Wireless

## 1T1R 2.0ch-Headset

PC or Android



USB dongle(TX)

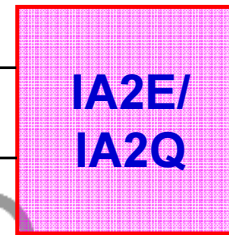


1CH  
16KHz

CCH

2CH  
48KHz

Headset(RX)



I2C

I2S

I2S

codec

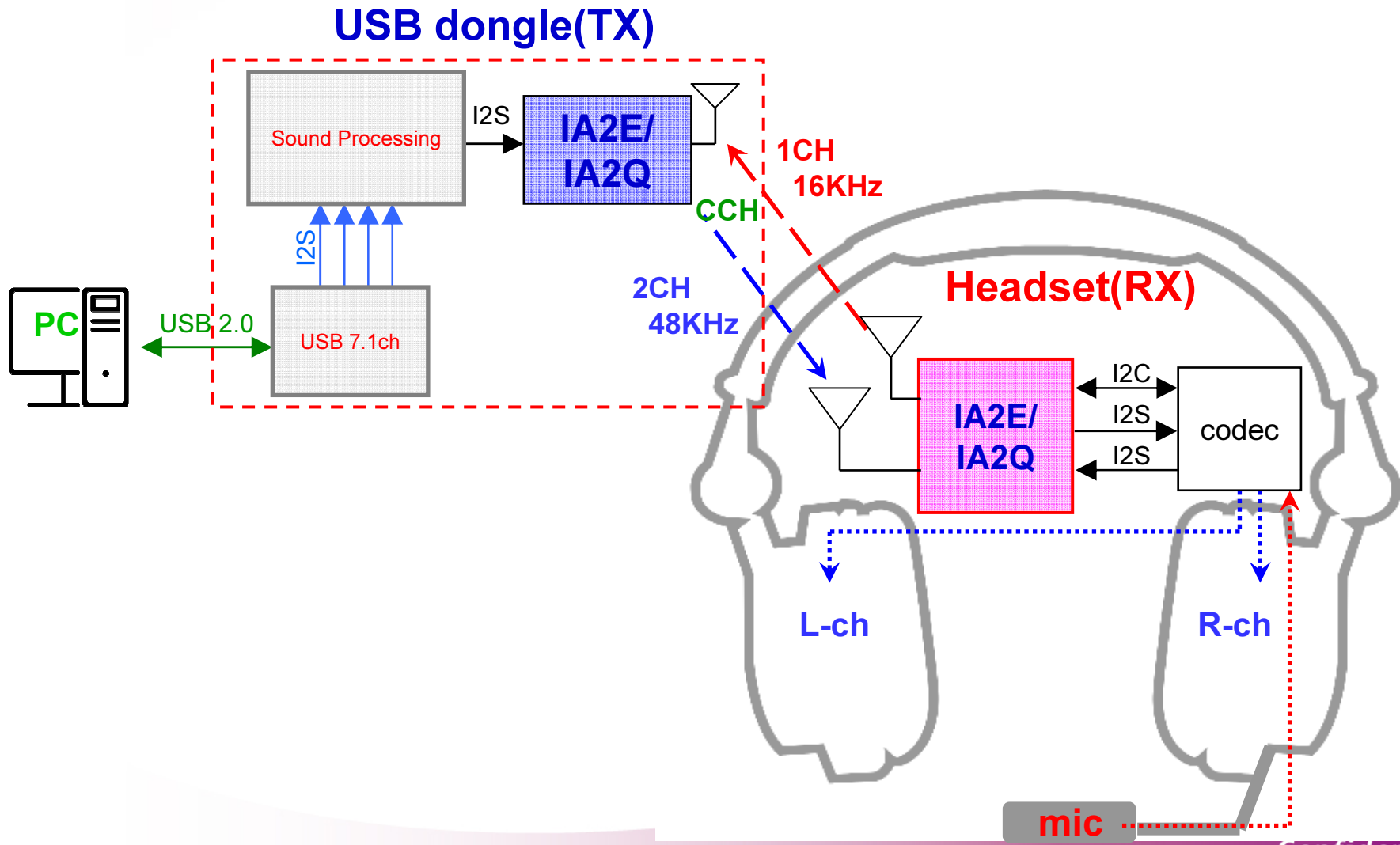
L-ch

R-ch

mic



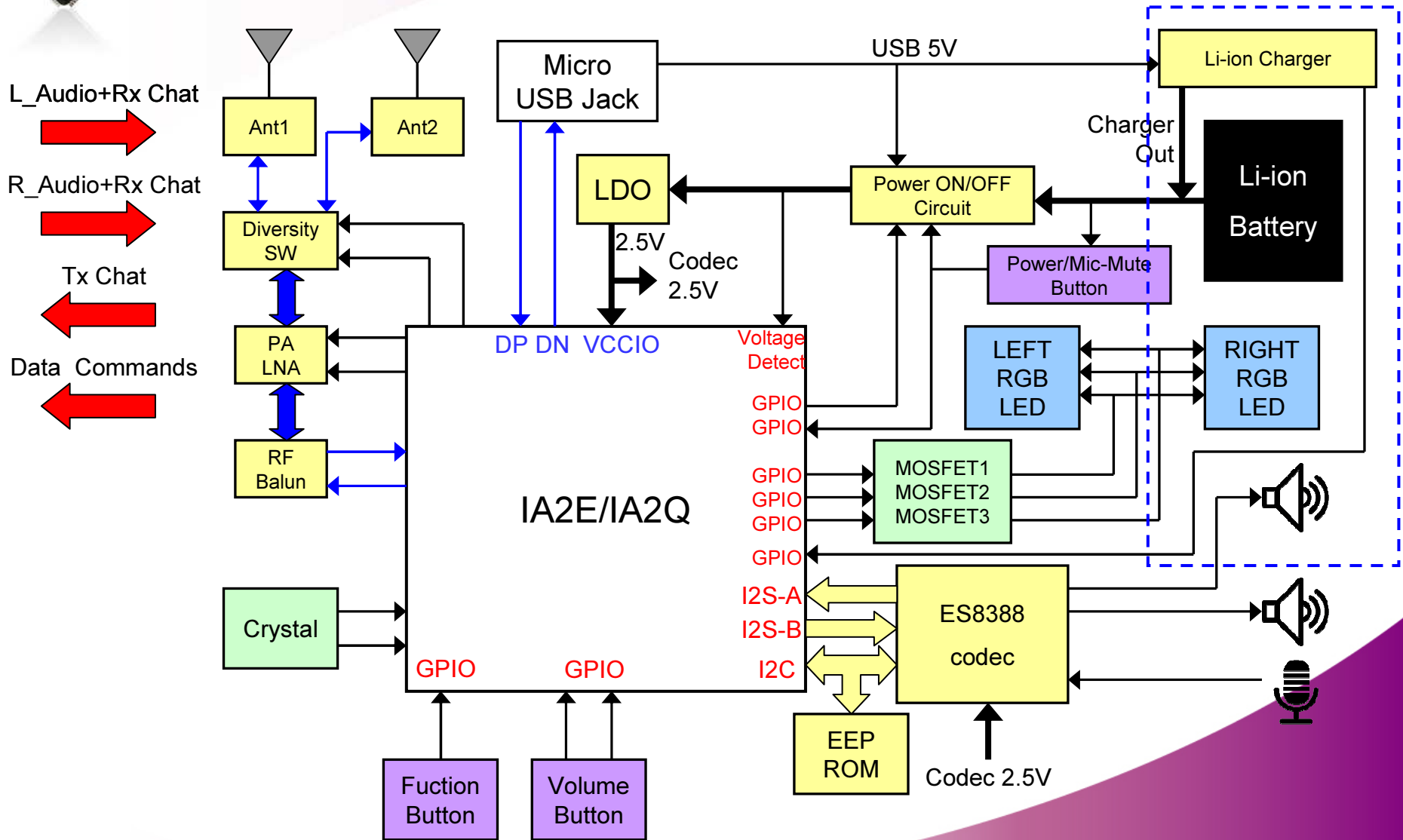
# 1T1R-Virtual 7.1ch Headset





**SYNIC<sup>®</sup>**  
Intelligent Wireless

# Wireless Headset Hardware Architecture

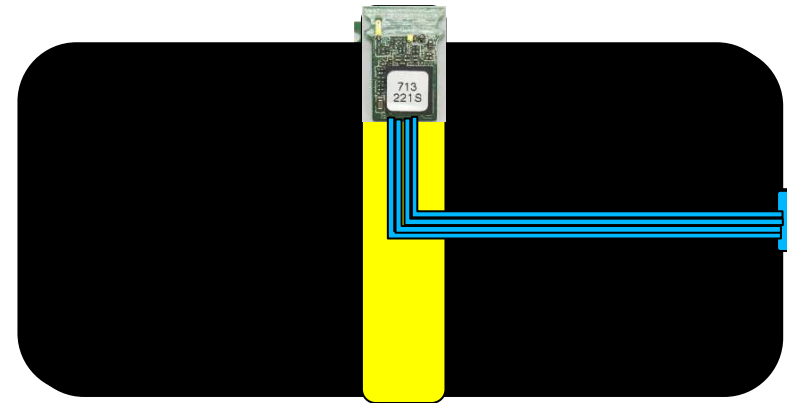




**SYNIC**<sup>®</sup>  
Intelligent Wireless

# New application design- Mobile Gaming wireless headset/phone

Chipset **IA2S4**

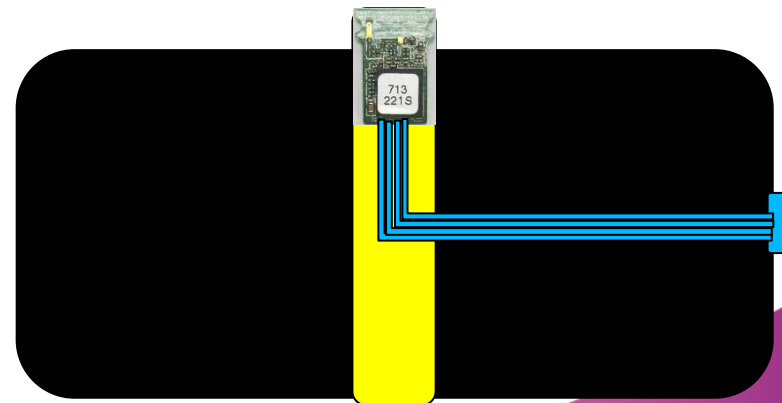




**SYNIC**<sup>®</sup>  
Intelligent Wireless

# New application design- Mobile Gaming wireless headset/phone

Chipset IA2S4



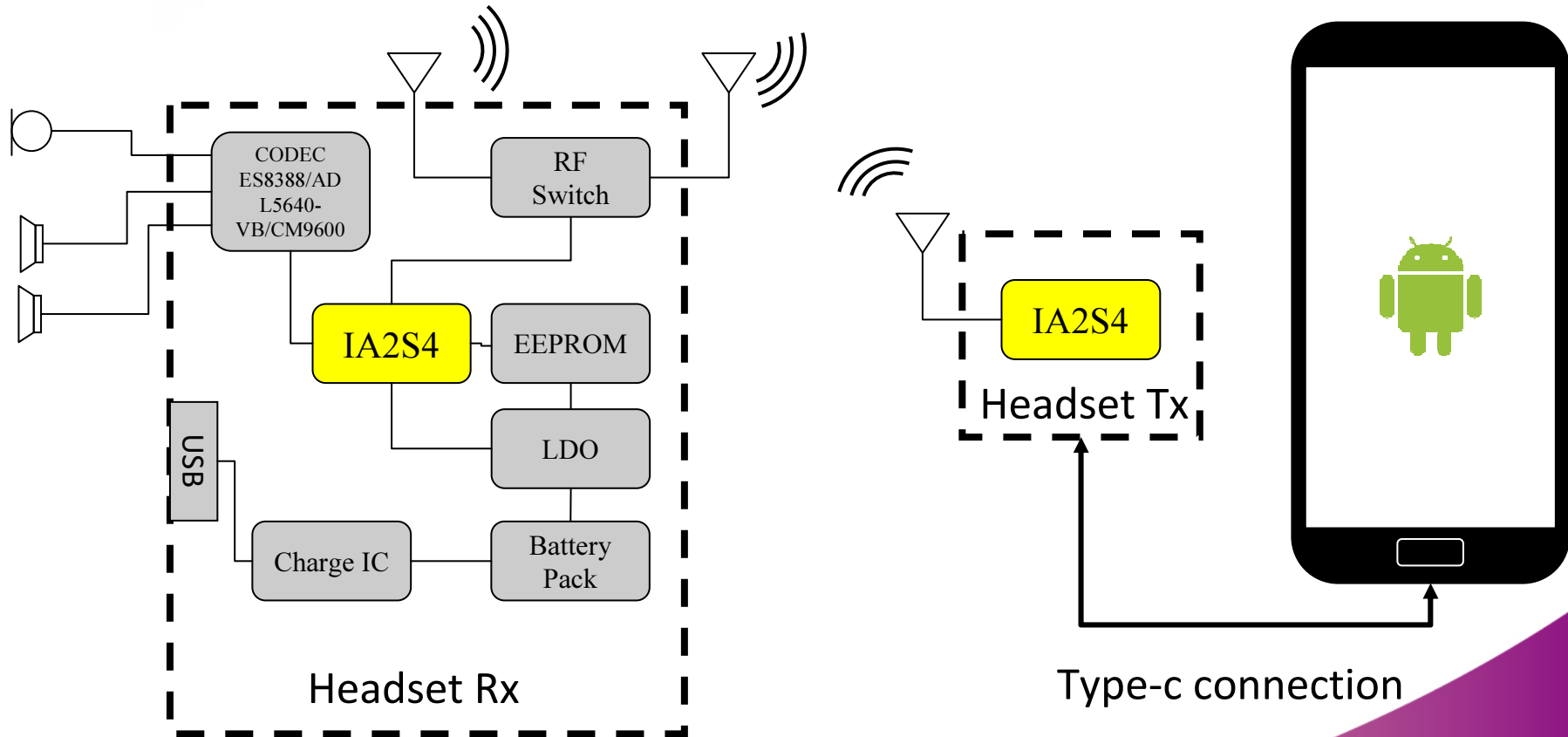




**SYNIC**<sup>®</sup>  
Intelligent Wireless

# New application design- Mobile Gaming wireless headset/phone Block Diagram

Chipset **IA2S4**





**SYNIC**<sup>®</sup>  
Intelligent Wireless

## Mobile Gaming wireless Headset/Phone

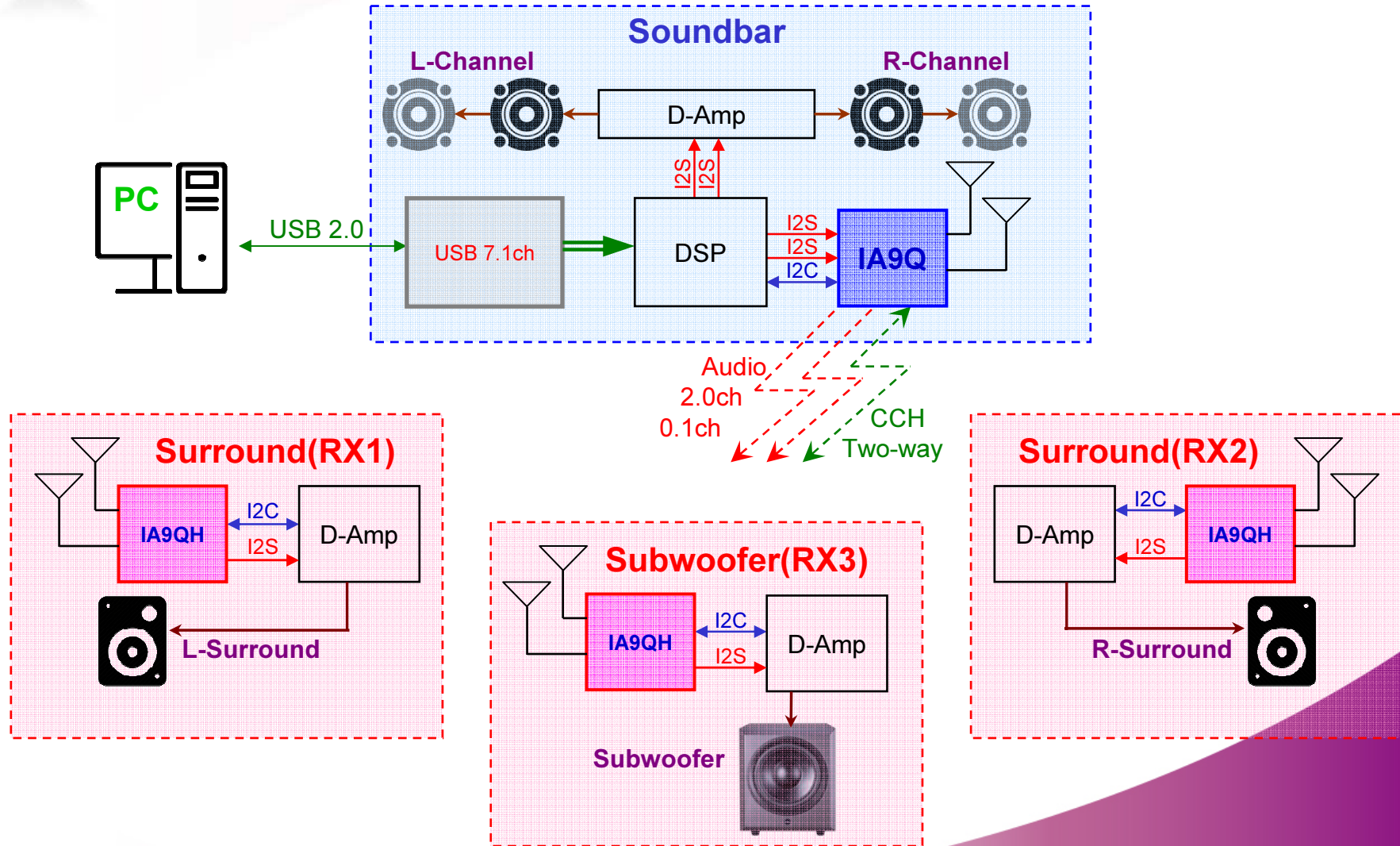
- USB TypeC UAC 1.1
- Low Latency < 20ms
- 48KHz/16bit Stereo / 16KHz/16bit Voice
- TX USB power consumption 40mA from mobile phone
- RX Headset power consumption 55~60mA/3.0V



**SYNIC<sup>®</sup>**  
Intelligent Wireless

# Gaming 5.1/7.1ch Soundbar

Wireless 2.1ch Surround & Woofer

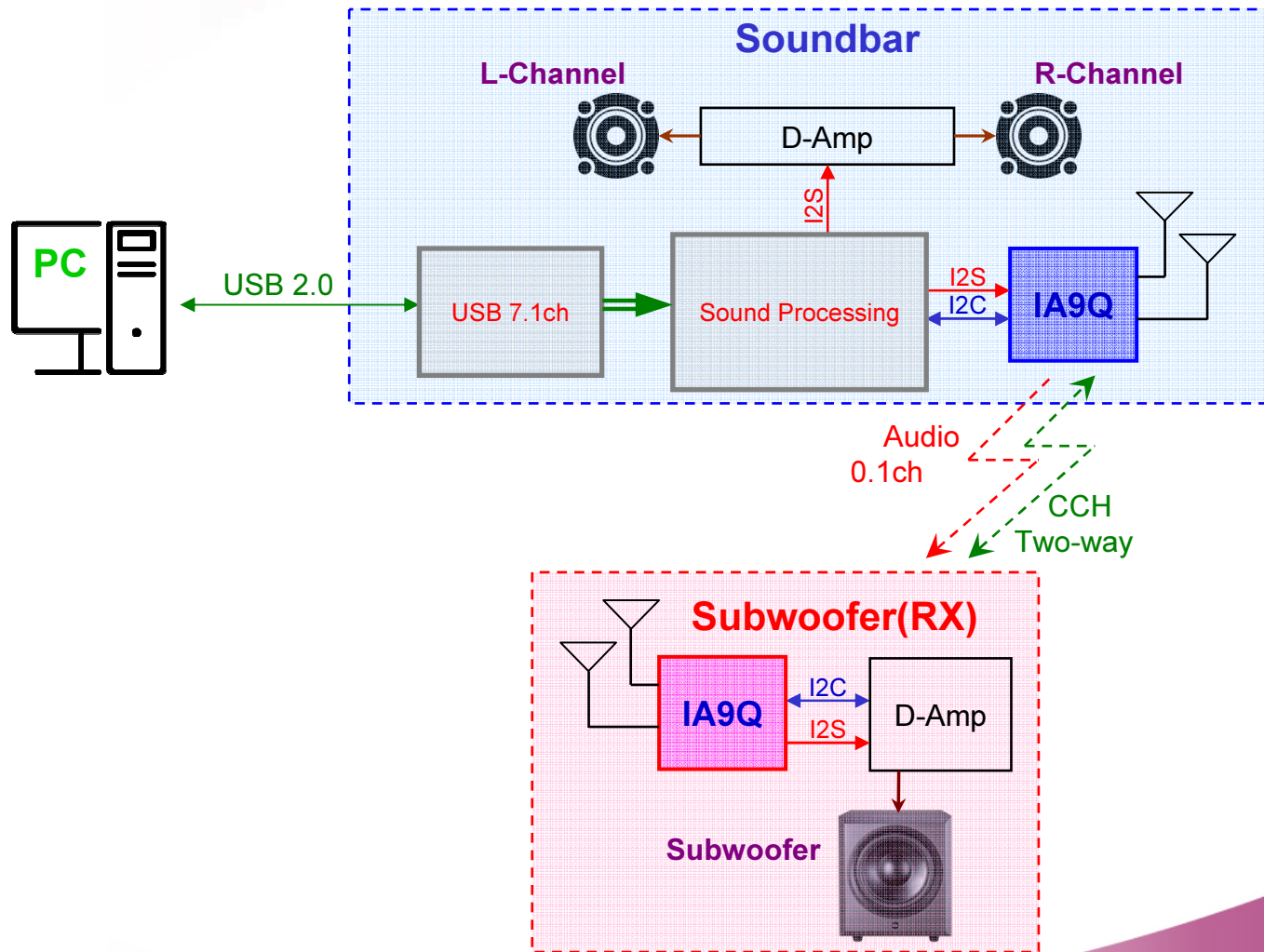




**SYNIC**<sup>®</sup>  
Intelligent Wireless

# Gaming Virtual 5.1/7.1ch Soundbar

Wireless 0.1ch Woofer





**SYNIC**<sup>®</sup>  
Intelligent Wireless

## Wireless Sound bar Solution

- Low Latency Complies with Dolby Certification
- Two mode selection
- Lip-sync
- Saving cost (HDMI)



**SYNIC**<sup>®</sup>  
Intelligent Wireless

# Sound bar System with Wireless Subwoofer or Headphone

Chipset **IA3S4** / Module **SY2-A24**



Two mode for your selection



Headphone mode

or



Soundbar mode



**SYNIC**<sup>®</sup>  
Intelligent Wireless

## Wireless Solution in Android TV

- Latency Lower than Bluetooth
- Lip-sync
- 2.4/5GHz Microphone for 32/48KHz High audio quality
- Easy pairing



**SYNIC**<sup>®</sup>  
Intelligent Wireless

# TV with Wireless Headphone

Chipset **IA3A4**



Connects to Your TV in Aux



Latency < 20ms

Can connect multiple Rx headphone to on Tx



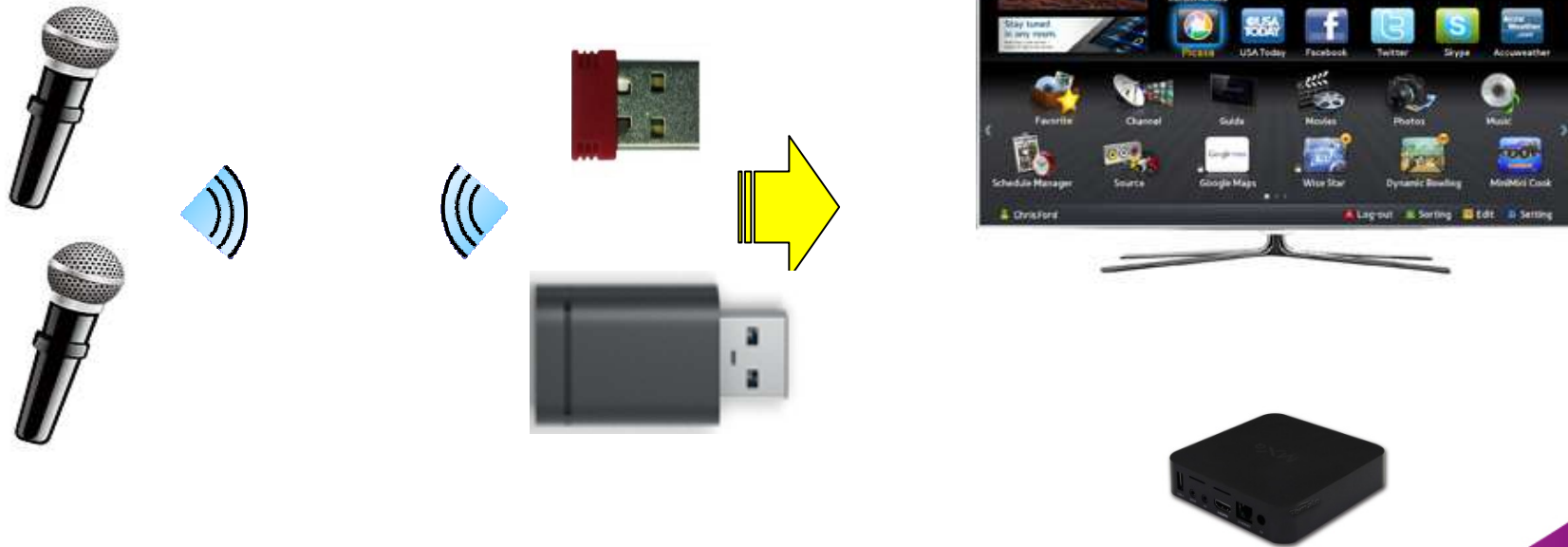




**SYNIC**<sup>®</sup>  
Intelligent Wireless

# Smart TV/OTT box with 2.4/5GHz Wireless Microphone

Chipset **IA3S4** or **IA9Q5** with **Kmic** module



Latency lower than Bluetooth  
Can connect two Rx Microphone to on Tx