



GSV1201D

DisplayPort 1.2 to HDMI 1.4 Converter with
Embedded MCU

May, 2023

Preliminary Product Specification

1. General Description

1.1 General Information

Gscoolink GSV1201D is a high-performance, low-power, USB Type-C Alternate Mode DisplayPort 1.2 to HDMI 1.4 converter. By integrating enhanced microcontroller and flash, GSV1201D has created a cost-effective solution that provides time-to-market advantages. The DisplayPort Receiver supports up to 21.6Gbps (HBR2, 4-lane) and HDMI Transmitter supports up to 9Gbps (TMDS, 3G3Lane). Integrated Power Delivery 3.0 controller handles Type-C CC interface for USB power management and DisplayPort mode entry. The superior architecture of GSV1201D provides economical smaller footprint solutions using QFN48, targeting application of Type-C Hub.

GSV1201D supports all DisplayPort SDP packets pass-through to HDMI output. HDCP 1.4 is implemented in GSV1201D for both DisplayPort Rx and HDMI Tx. Color Space Conversion, 444/422-420 Converter are supported at HDMI Tx in TMDS mode.

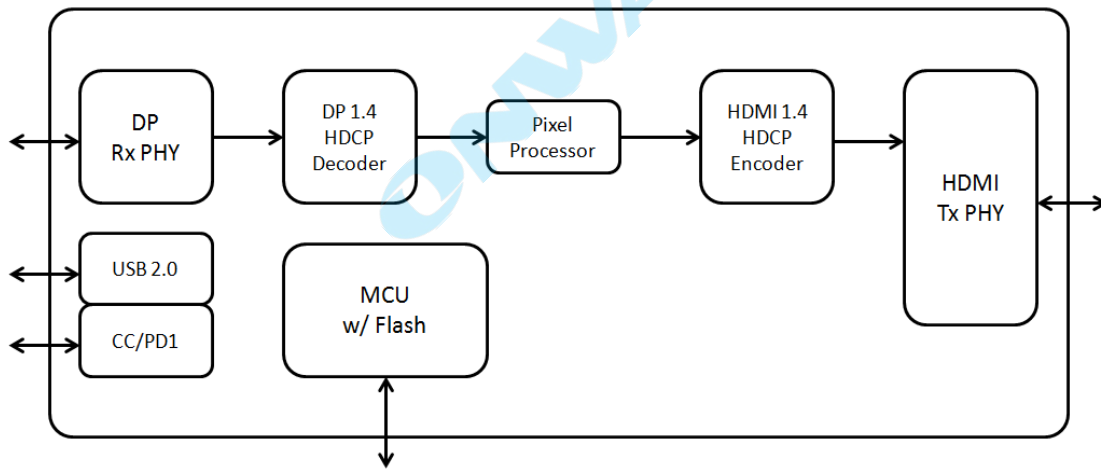


Figure 1. Top Diagram

The supported audio formats are listed in Table 1

Table 1. Supported Audio Format

Packet ID	Packet Type	Sampling Frequency (KHz)		
		32/44.1/48/88.2/ 96/176.4/192	256/352.8/384/ 512/705.6/768	64/128
0x02	Audio Sample Packet (LPCM and Compressed Audio)	Y		Y
0x07	One Bit Audio Sample Packet	Y		

4. Package Information

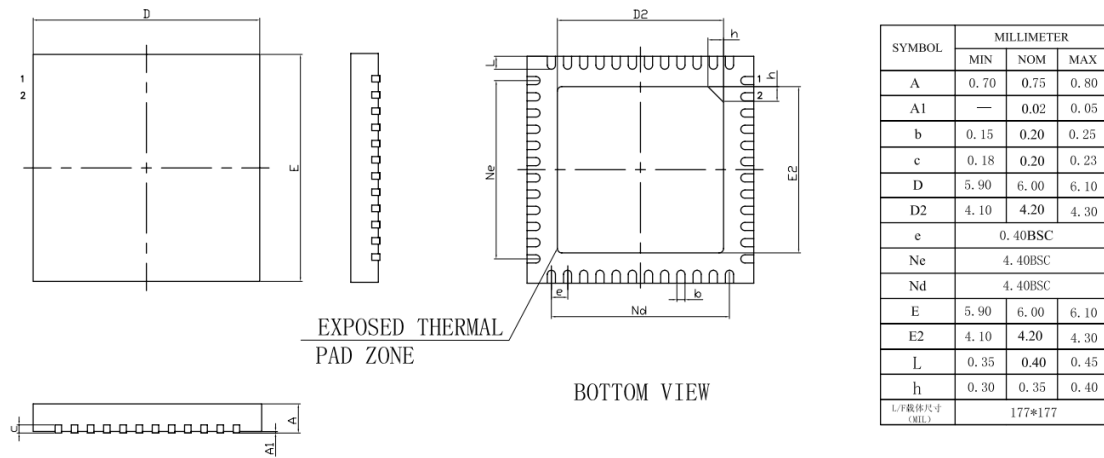


Figure 7. Package Dimensions (QFN48)



5. Ordering Guide

Table 6. Ordering Information

Part Number.	Temperature Range	Package Description	Packing Type
GSV1201D	-20°C to +85°C	QFN48	Tray

